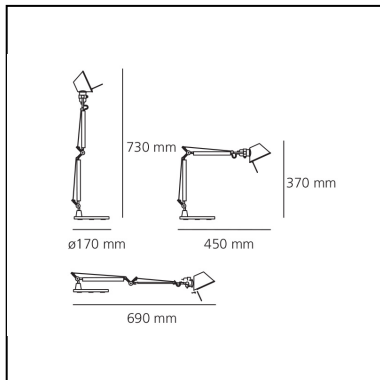


# Tolomeo Micro Table - Aluminium - Body Lamp + Base

Michele De Lucchi  
Giancarlo Fassina



IP20    



## LUMINAIRE

- Watt: **40W**
- Voltage: **220V-240V**
- Delivered lumens output: **244lm**
- Efficiency: **57%**
- Efficacy: **6.1lm/W**
- CRI: **100**

## Notes

Interchangeable support: table base, clamp, desk fixed support and twin support that allows two independent lamp units to be fitted. Possibility to mount LED source on E14 Socket

## DESCRIPTION

Base and cantilevered arms in polished aluminium; diffuser in matt anodised aluminium; joints and supports in polished aluminium. System of spring balancing. The code is referred to the body lamp only

**PRODUCT CODE: A011800**

## FEATURES

- Article Code: **A011800**
- Colour: **Aluminium**
- Installation: **Table**
- Material: **Aluminium, steel**
- Series: **Design Collection**
- design by: **Michele De Lucchi, Giancarlo Fassina**

## DIMENSIONS

- Length: **cm 45**
- Height: **cm 37**
- Base Diameter: **cm 17**
- Max Extension Height: **cm 73**
- Max Extension Length: **cm 69**

## NOT INCLUDED SOURCES

- Category: **HALO**
- Number: **1**
- Lbs: **Qt26**
- Watt: **46W**
- Socket: **E14**
- Color Rendering: **1a**
- Color temperature (K): **3000K**

## ALTERNATIVE SOURCES

- Category: **LED RETROFIT**
- Number: **1**
- Watt: **4W**
- Socket: **E14**