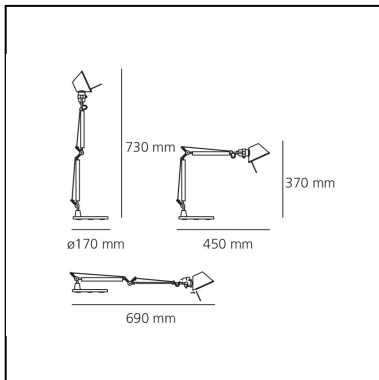


# Tolomeo Micro Table - Anodized red - Body Lamp

Michele De Lucchi  
Giancarlo Fassina



IP20    



## LUMINAIRE

- Watt: **40W**
- Voltage: **220V-240V**
- Delivered lumens output: **244lm**
- Efficiency: **57%**
- Efficacy: **6.1lm/W**
- CRI: **100**

## Notes

Interchangeable support: table base, clamp, desk fixed support and twin support that allows two independent lamp units to be fitted. Possibility to mount LED source on E14 Socket. Complete lamp consists of body lamp + accessories

## DESCRIPTION

Base and cantilevered arms in polished aluminium; diffuser in matt anodised red aluminium; joints and supports in polished aluminium. System of spring balancing. The code is referred to the body lamp only

**PRODUCT CODE: A010910**

## FEATURES

- Article Code: **A010910**
- Colour: **Metal red**
- Installation: **Table**
- Material: **Aluminium, steel**
- Series: **Design Collection**
- design by: **Michele De Lucchi, Giancarlo Fassina**

## DIMENSIONS

- Length: **cm 45**
- Height: **cm 37**
- Base Diameter: **cm 17**
- Max Extension Height: **cm 73**
- Max Extension Length: **cm 69**

## NOT INCLUDED SOURCES

- Category: **HALO**
- Number: **1**
- Lbs: **Qt26**
- Watt: **46W**
- Socket: **E14**
- Color Rendering: **1a**
- Color temperature (K): **3000K**

## ALTERNATIVE SOURCES

- Category: **LED RETROFIT**
- Number: **1**
- Watt: **4W**
- Socket: **E14**

**Accessories**



Table clamp aluminium A004100



Desk fixed support aluminium A004200