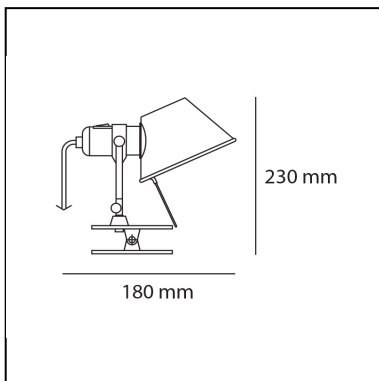


Tolomeo Pinza - Aluminium

Michele De Lucchi
Giancarlo Fassina



LUMINAIRE

- Watt: **100W**
- Voltage: **220V-240V**
- Delivered lumens output: **804lm**
- Efficiency: **58%**
- Efficacy: **8.04lm/W**
- CRI: **100**

Notes

Possibility to mount LED source on E27 Socket

DESCRIPTION

Support in polished aluminium, diffuser in matt anodised aluminium; steel pincer grip.

PRODUCT CODE: A005800

FEATURES

- Article Code: **A005800**
- Colour: **Aluminium**
- Installation: **Wall**
- Material: **Aluminium, steel**
- Series: **Design Collection**
- design by: **Michele De Lucchi, Giancarlo Fassina**

DIMENSIONS

- Height: **cm 23**
- Depth: **cm 18**

NOT INCLUDED SOURCES

- Category: **HALO**
- Number: **1**
- Lbs: **Qa60**
- Watt: **77W**
- Socket: **E27**
- Color Rendering: **1a**
- Color temperature (K): **2900K**
- Duration (h): **2000h**

ALTERNATIVE SOURCES

- Category: **LED RETROFIT**
- Number: **1**
- Watt: **8W**
- Delivered lumens output: **1000lm**
- Socket: **E27**