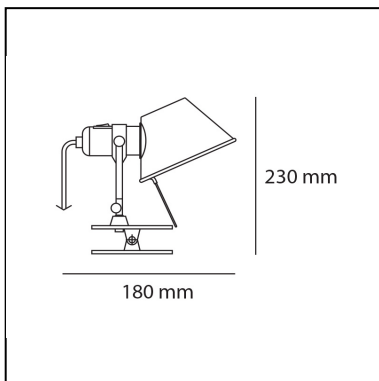


Tolomeo Pinza LED - 3000K

Michele De Lucchi
Giancarlo Fassina



LUMINAIRE

- Watt: **10W**
- Voltage: **24V**
- Delivered lumens output: **632lm**
- CCT: **3000K**
- Efficiency: **70%**
- Efficacy: **63.18lm/W**
- CRI: **90**
- Dimmer Typology: **Microswitch Dimmer**

DESCRIPTION

Support in polished aluminium, diffuser in matt anodised aluminium; steel pincer grip.

PRODUCT CODE: A044850

FEATURES

- Article Code: **A044850**
- Colour: **Aluminium**
- Installation: **Wall**
- Material: **Aluminium, steel**
- Series: **Design Collection**
- design by: **Michele De Lucchi, Giancarlo Fassina**

DIMENSIONS

- Height: **cm 23**
- Depth: **cm 18**
- Glow Wire Test: **750°**

SOURCES INCLUDED

- Category: **Led**
- Number: **1**
- Watt: **10W**
- Color temperature (K): **3000 K**