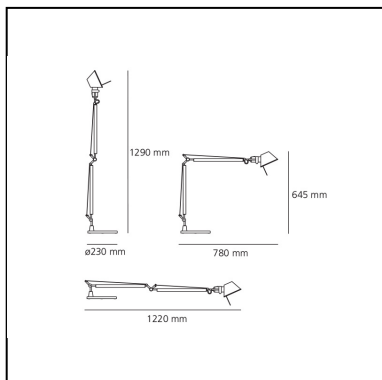


Tolomeo table with presence detector LED 3000K - Body Lamp

Michele De Lucchi
Giancarlo Fassina



IP20    



LUMINAIRE

- Watt: **10W**
- Voltage: **24V**
- Delivered lumens output: **632lm**
- CCT: **3000K**
- Efficiency: **70%**
- Efficacy: **63.18lm/W**
- CRI: **90**
- Dimmer Typology: **Microswitch Dimmer**

Notes

Interchangeable support: table base, clamp, desk fixed support and twin support that allows two independent lamp units to be fitted. Complete lamp consists of body lamp + accessories

DESCRIPTION

Using Led technology, the attention must be focused not only on energy consumption and light efficiency, but above all on the quality and quantity of the distribution of the light. In fact the advantage of the Led is that it emits 100% light flow into the direct hemisphere, eliminating dispersion and waste in other directions. This means that in order to obtain illuminance of 1250 lux on the work surface, with an incandescent light source a power of 100W is necessary, while with a Led source 10W is sufficient, with a 90% energy saving. Base and cantilevered arms in polished aluminium; diffuser in matt anodised aluminium; joints and supports in polished aluminium. System of spring balancing. 5 direct Led. The code refers to the luminaire's body only

PRODUCT CODE: A005400

FEATURES

- Article Code: **A005400**
- Colour: **Aluminium**
- Installation: **Table**
- Material: **aluminium, steel**
- Series: **Design Collection**
- design by: **Michele De Lucchi, Giancarlo Fassina**

DIMENSIONS

- Length: **cm 78**
- Height: **cm 64.5**
- Base Diameter: **cm 23**
- Max Extension Height: **cm 129**
- Max Extension Length: **cm 122**
- Glow Wire Test: **750°**

SOURCES INCLUDED

- Category: **Led**
- Number: **1**
- Watt: **10W**
- Color temperature (K): **3000 K**

Accessories



Table clamp aluminium A004100



Table base ø cm. 23 - Aluminium A004030



Desk fixed support aluminium A004200