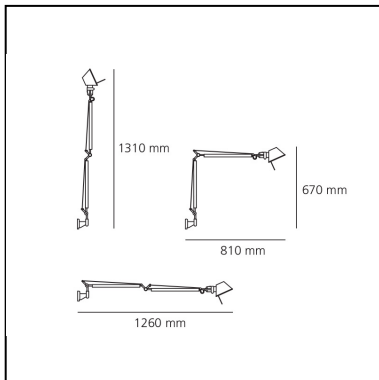


# Tolomeo Wall LED - 3000K - Aluminium - Body Lamp

Michele De Lucchi  
Giancarlo Fassina



## LUMINAIRE

- Watt: **10W**
- Voltage: **220V-240V**
- Delivered lumens output: **632lm**
- CCT: **3000K**
- Efficiency: **70%**
- Efficacy: **63.18lm/W**
- CRI: **90**
- Dimmer Typology: **Microswitch Dimmer**

## Notes

Complete lamp consists of body lamp + accessories

## DESCRIPTION

Cantilevered arms in polished aluminium; diffuser in matt anodised or polished aluminium; joints and wall support in polished aluminium. System of spring balancing. The code refers to the luminaire's body only

**PRODUCT CODE: A004800**

## FEATURES

- Article Code: **A004800**
- Colour: **Aluminium**
- Installation: **Wall**
- Material: **Aluminium**
- Series: **Design Collection**
- design by: **Michele De Lucchi, Giancarlo Fassina**

## DIMENSIONS

- Length: **cm 81**
- Height: **cm 67**
- Max Extension Height: **cm 131**
- Max Extension Length: **cm 126**
- Glow Wire Test: **750°**

## SOURCES INCLUDED

- Category: **Led**
- Number: **1**
- Watt: **10W**
- Color temperature (K): **3000K**
- CRI: **90**

**Accessories**



Wall support -  
Aluminium  
A025150