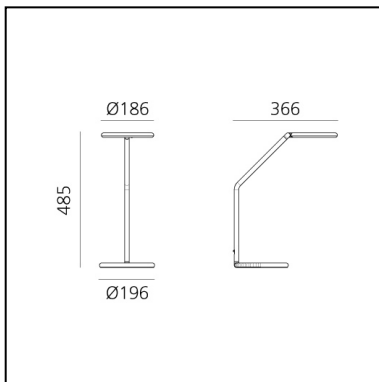


Vine Light - Table - Pure Integralis

BIG - Bjarke Ingels Group



LUMINAIRE

- Watt: **8W**
- Lichtstrom (lm): **675lm**
- Strahlungsstärke: **523mW**
- CCT: **3600K**
- CRI: **82**

Anmerkungen

PATENT PENDING TECHNOLOGY

BESCHREIBUNG

Vine Light is a pure and balanced line that reaches great freedom of movement with only two joints, leaving users free to define their own light with a simple gesture.

An unbroken section, measuring only 16 mm for the small versions and 25 mm for the big ones (floor, wall), shapes the structure and houses all the opto-electronic and mechanical elements.

Its minimalist presence creates a perfect balance among different materials, weights, light quality, precision of movement and functionality.

Vine Light translates technological complexity into simplicity and freedom. It represents a synthesis in which the apparent simplicity is the result of a deep know-how and innovative research.

FUNKTIONEN

- Produktcode: **1564030IN2A**
- Farbe: **Black**
- Installation: **Tischleuchte**
- Serie: **Design Collection, Novelities**
- design: **BIG - Bjarke Ingels Group**

DIMENSION

- Länge: **366 mm**
- Höhe: **485 mm**
- Durchmesser Fuß: **196 mm**

INKLUSIVE LICHTQUELLEN

- Kategorie: **Led**
- Anzahl: **1**
- Color Tolerance: **MacAdam 4SDCM**
- Service Life: **L80 (10K) 28500h**