



# Nottola

Alexander Bellman

**Artemide<sup>®</sup>**

# Authors

## Alexander Bellman

Alexander Bellman was born in Milan in 1970, after completing a degree in Architecture at the Polytechnic University of Milan he founded his first studio in 1998. He was soon highly specialized in lighting design and virtual technologies and became one of the field's referential figures.

"I've always been obsessed with trying to design light" explains Bellman, who founded Gruppo C14 in Milan in 2003. This architects' studio immediately distinguished itself for its ability to blend different skills. Bellman and C14 specialise in residential, retail, hospitality and exhibition projects. Their interior design is always driven by the aim to deliver bespoke ideas combined with well thought out lighting design, the sector in which the studio excels

This passion for the restaurant business will shortly result in the opening of two new projects, for now they are still in the construction phase. Then, let's not forget the important commission won in Milan as the lighting consultant for the Torre Generali, the brand new Torre Gioia 22 and Piazza Gae Aulenti. C14 is currently busy with important public commissions in connection to the Gioia 20 project, which was presented last May: they are in charge of the lighting project for the communal areas, the terraces and lobbies inside the tower which will occupy the large communal space (presently a car park) behind Porta Nuova. Still in Milan, Bellman and C14 designed the ticket office and shop in the prestigious Museo del Duomo. After Milan we move on to Florence, here too the studio is involved in the lighting of an historical building, namely, the rationalist Manifattura Tabacchi building – which in recent years has undergone an ambitious renovation project.

Gruppo C14 worked alongside MDL and MCA for the lighting design of two buildings in the Porta Nuova area, designed the lighting for Kiton's new showroom within Palazzo Gondrand in Milan, created the Peuterey retail concept, developed concept lighting for Ballantyne, worked with International artists and curated exhibitions at Milan's Palazzo Reale, Sforza Castle, Natural History Museum, Triennale and on Isola Madre on Lake Maggiore.



# Nottola

Alexander Bellman  
2021

Nottola is an outdoor suspension lamp, thin and elegant, that offers diffused lighting and projects a subtle play of shadows into the environment.

A metal structure encloses the diffusing lighting body and through a few simple touches, defines a volume "without substance".

It is a modern lantern that adapts perfectly to contemporary architecture but will also fit unobtrusively into the oldest of spaces, with full respect for the stylistic characteristics of the architecture.











# NOTTOLA

Brass



\* The product is supplied with two interchangeable tiges, which allow to obtain two different lengths.

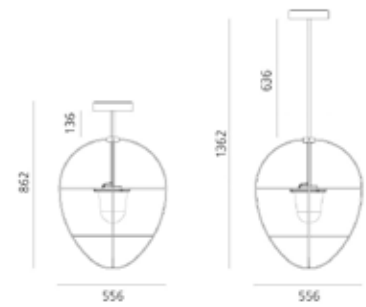
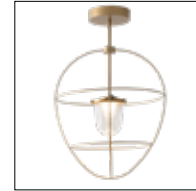
MacAdam 2SDCM  
Life L70 (9K) >50000h  
CRI 90

IP65



Height	Diameter	W	Flux	CCT
336/636 mm *	556 mm	20 W	2034 lm	3000K

Code  
**T070010**









## Headquarters

### Artemide S.p.A.

Via Bergamo, 18  
20006 Pregnana Milanese (MI), Italy  
Tel. +39 02 93518.1  
Tel. +39 02 93526.1  
Numero verde 800 834 093  
(from Italy only)  
info@artemide.com  
artemide.com

### Artemide S.p.A.

si riserva la facoltà di modificare, in qualunque momento e senza preavviso, le caratteristiche tecniche degli elementi illustrati nel presente catalogo.

### Artemide S.p.A.

reserves the right to change, at any time and without prior warning, the technical specifications of any product illustrated in this catalogue.

### Artemide S.p.A.

se réserve le droit de modifier, à n'importe quel moment et sans préavis, les caractéristiques techniques des éléments illustrés dans ce catalogue.

### Artemide S.p.A.

behält sich das Recht vor jederzeit und ohne Ankündigung die technischen Daten der im Katalog abgebildeten Produkte zu ändern.

### Artemide S.p.A.

se reserva la facultad de modificar, en cualquier y sin aviso previo, las características técnicas de los elementos ilustrados en el presente catálogo.

2025

For information regarding distributors and points of sale, please visit our website [artemide.com](http://artemide.com) or email: [info@artemide.com](mailto:info@artemide.com)



ISO 9001:2015



ISO 14001:2015



ISO 45001:2018



CTF STAGE2  
ISO 17025