



Zephyr

Carlo Colombo

Artemide®

Author

Carlo Colombo

Carlo Colombo graduated in architecture from the Politecnico di Milano in 1993 and began to work, dedicating himself, above all, to design and marketing of industrial products, graphics, and set-ups, collaborating with the best brands of Italian design. Since 2011 he has been teaching design at the University of Beijing. In 2013 he founded A++ architecture studio with Paolo Colombo in Lugano, which deals with interiors and large-scale projects all over the world, with studios in Lugano, Zurich, New York, Miami, and Dubai. His projects have been exhibited in Paris, at the Weserburg Museum of Modern Art in Bremen (1995), at the Museum of Decorative Arts in Cologne (1996), at the Milan Triennale (2016), and at MARCA, Museum of the Arts of Catanzaro (2017).



Zephyr

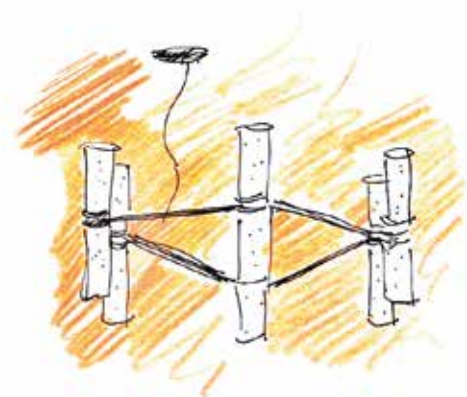
Carlo Colombo
2023

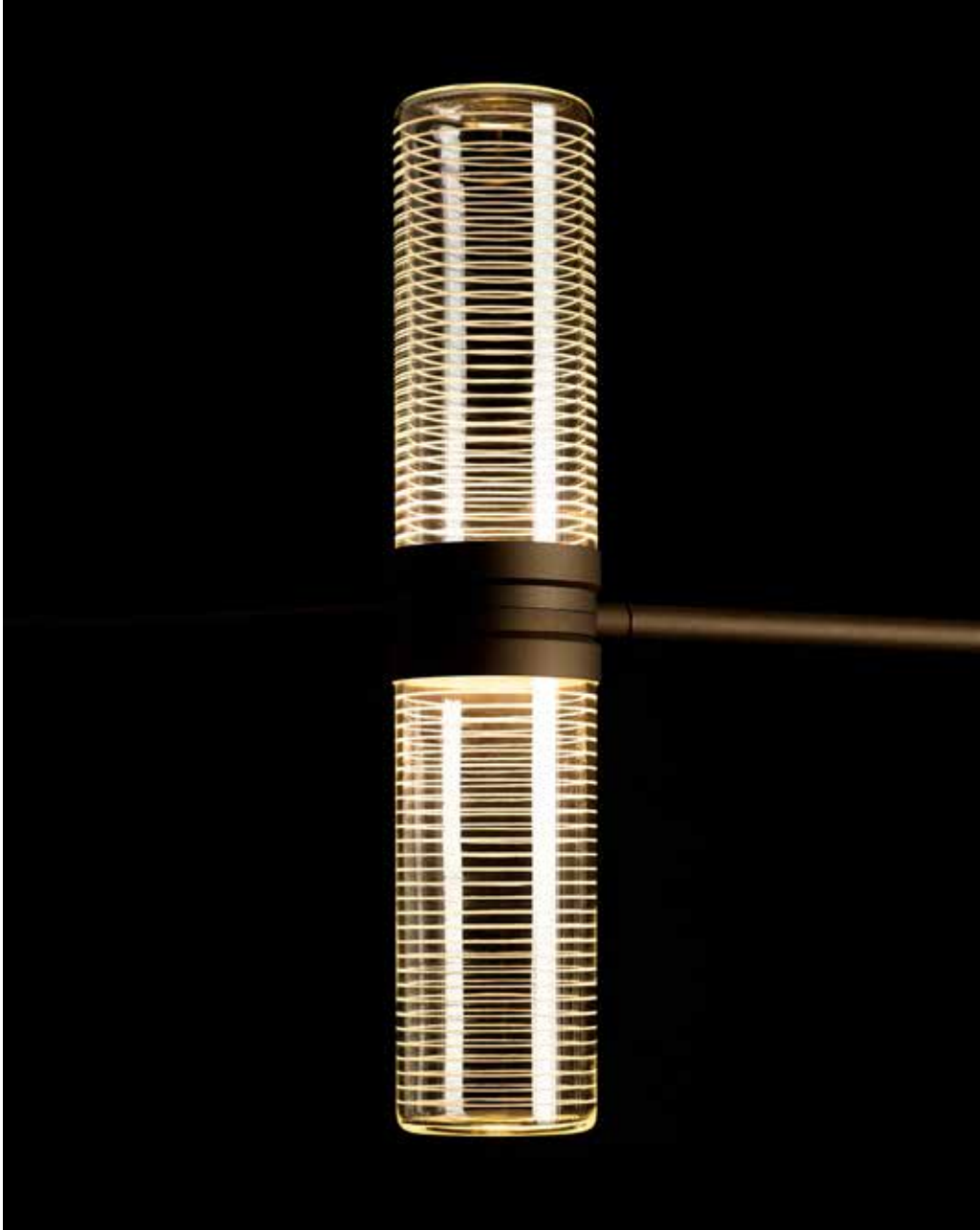
Zephyr is a minimalist and elegant chandelier, available in different configurations designed to respond with balance and restraint to a variety of design requirements.

The structure consists of double cylindrical diffusers with a central body that houses the light sources. Two rings, rotating on the same axis, define the orientation of the lighting bodies and the structural connecting elements.

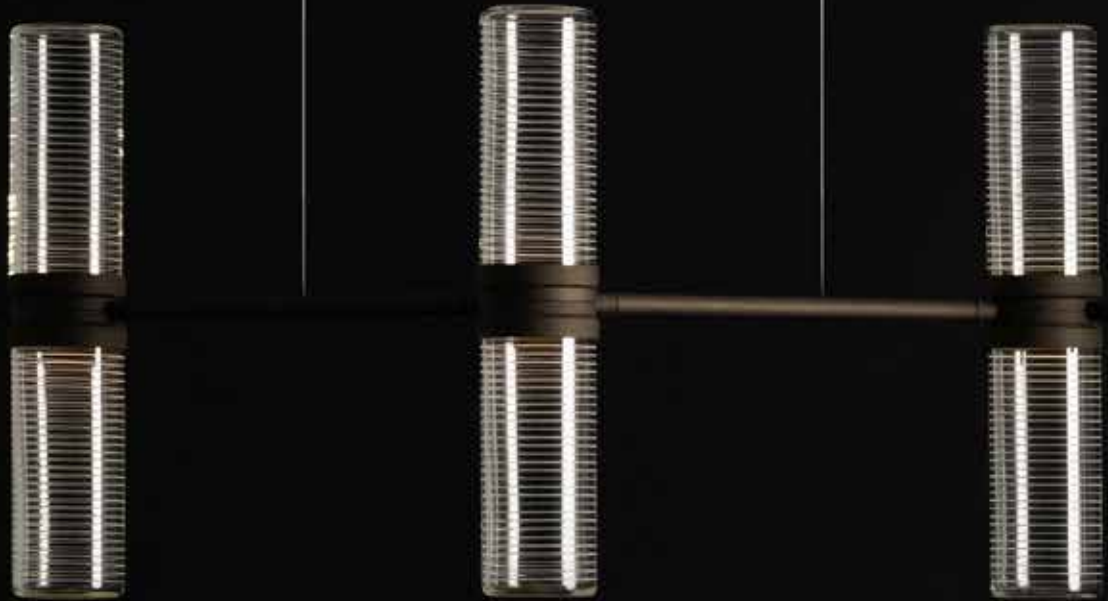
The diffuser is made of transparent glass, hand-blown into a wave-shaped mould; its peaks are then ground to create a horizontal texture that alternates transparent and opaline diffusion bands. This process elegantly enriches the diffuser, but above all creates a non-glare diffusion of light along the cylindrical body.

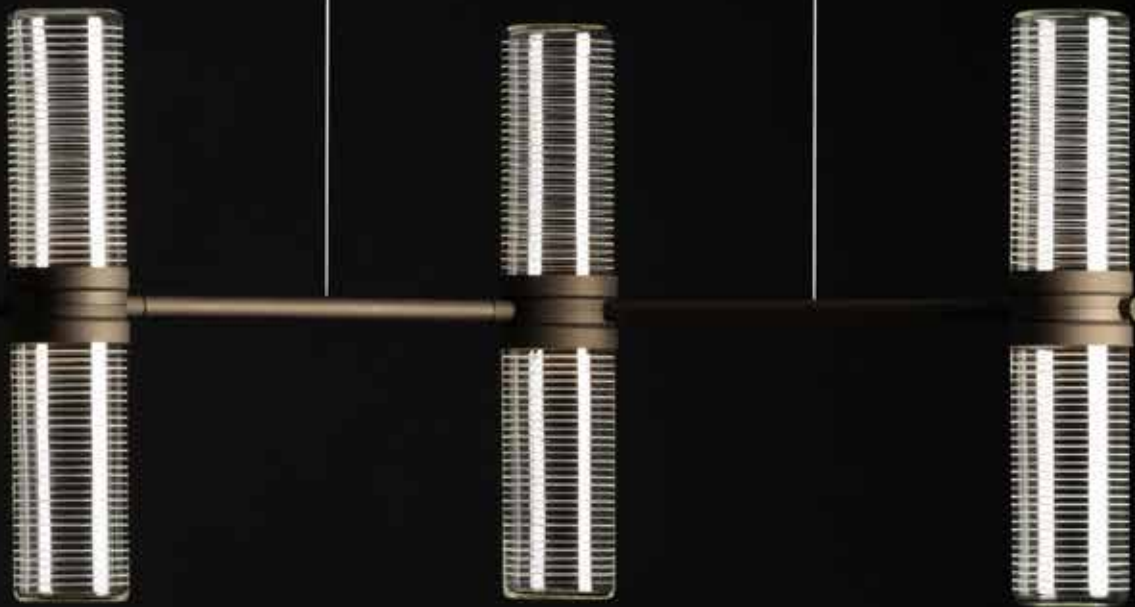
Zephyr is a contemporary interpretation of the traditional chandelier: the craftsmanship of glass combines with the simplicity of the form and optical flair to reinterpret glass-working technologies not only as decorative elements, but also as functional tools for controlling and distributing light.





Handwritten signature
Arto - June
2022





“Thin glass cylinders create a suggestive lighting harmonies. The horizontal engraving of the glass cleverly conceals the light source. Zephyr is a suspended sculpture, a warm and elegant light, a versatile collection of design and art.”

Carlo Colombo

Zephyr Linear







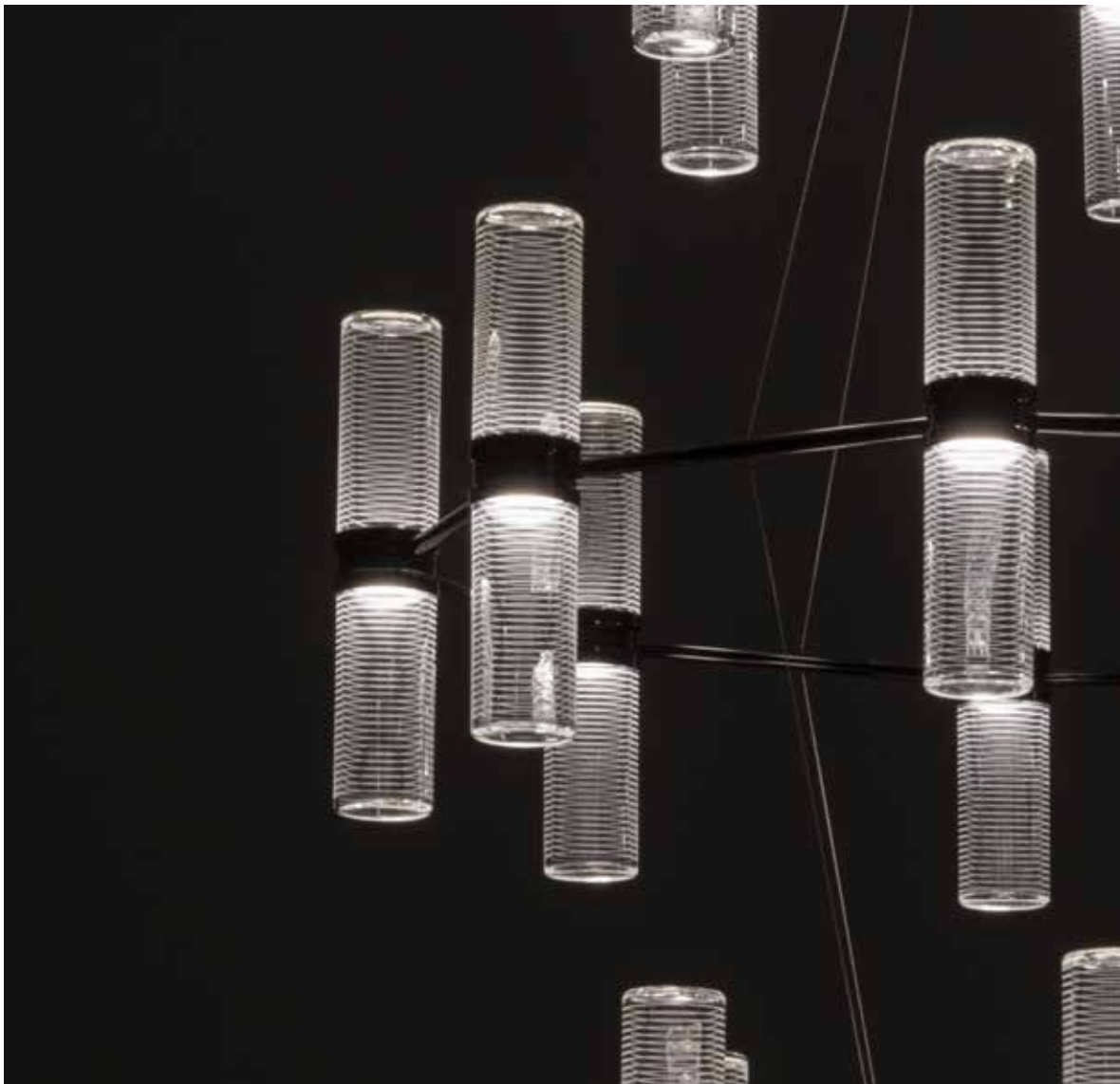


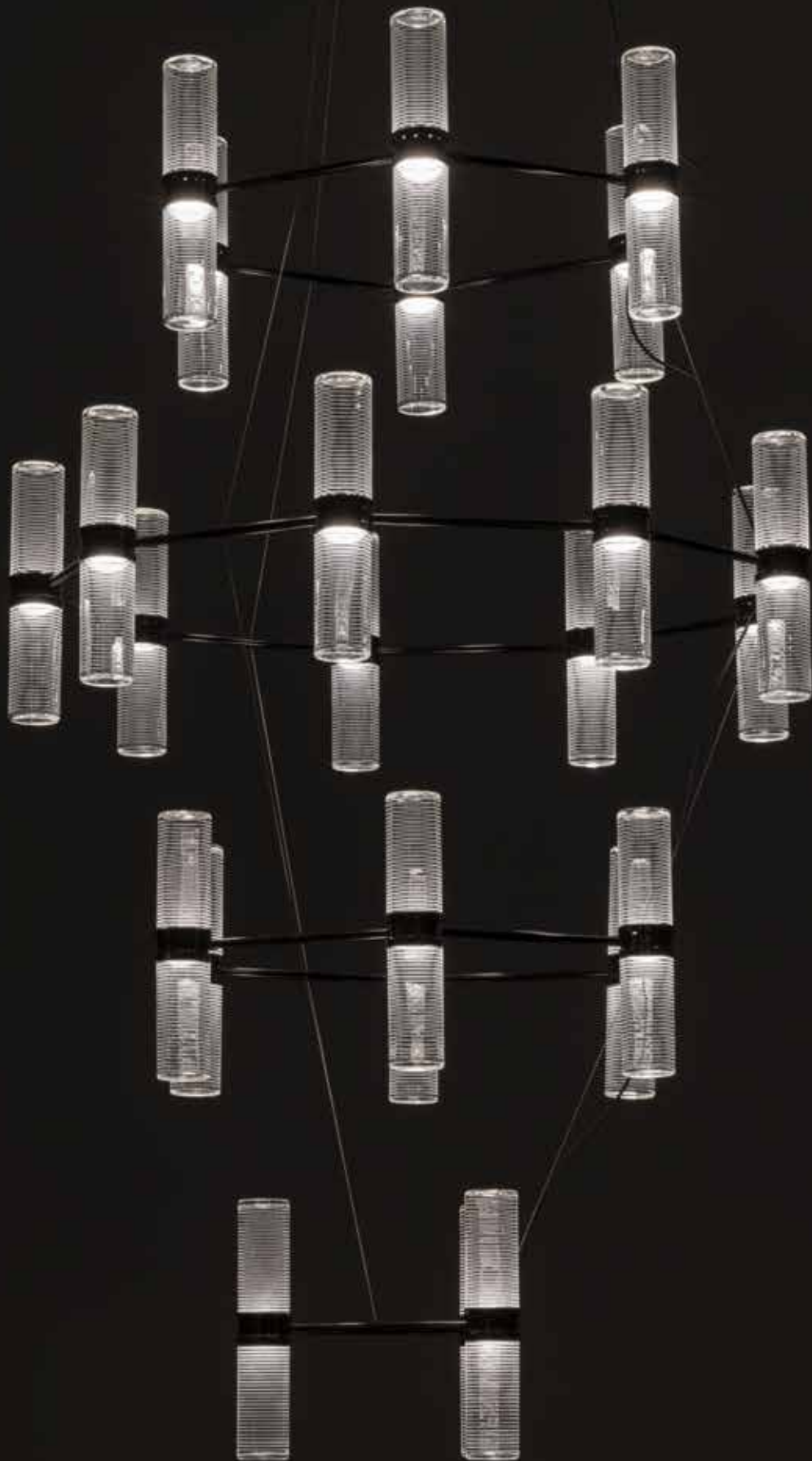


Zephyr Ring



Zephyr Chandelier









Zephyr Family

Materials:

Glass and alluminum.

Colours:

- Black
- Bronze

CCT: 2700K/3000K
CRI=90

Zephyr Linear:

Total Power: 55W

Lm 2700K: 4093 lm

Lm 2700K: 4029 lm

Zephyr Ring:

Total Power: 55W

Lm 2700K: 4029 lm

Lm 3000K: 4093 lm

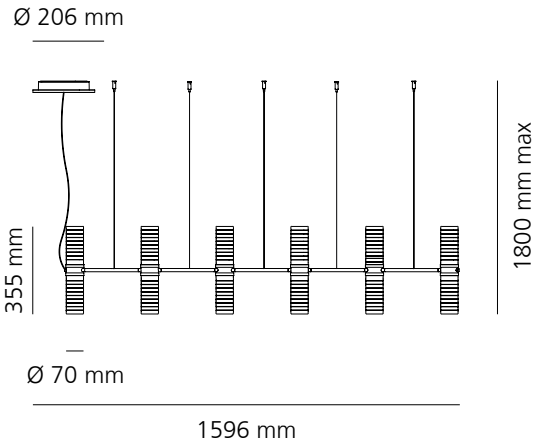
Zephyr Chandelier:

Total Power: 175W

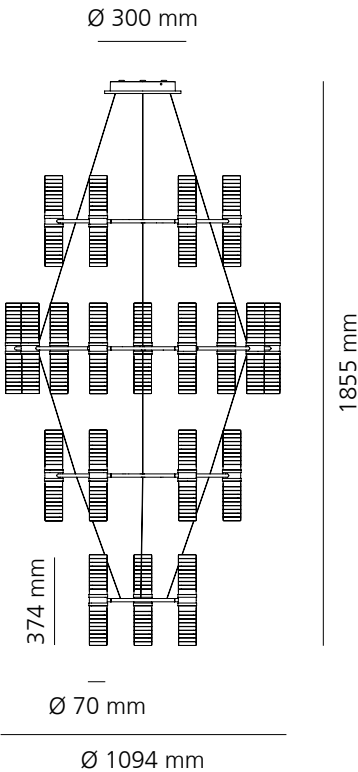
Lm 2700K: 12537 lm

Lm 3000K: 12735 lm

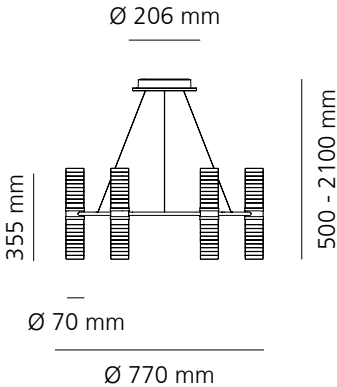
Zephyr Linear



Zephyr Chandelier



Zephyr Ring



ZEPHYR LINEAR

		DALI/PUSH	PUSH & APP
CCT	Colour	Code	Code
2700K	●	1782W30A	1782W30APP
	●	1782W40A	1782W40APP
3000K	●	1782030A	1782030APP
	●	1782040A	1782040APP

ZEPHYR RING

		DALI/PUSH	PUSH & APP
CCT	Colour	Code	Code
2700K	●	1781W30A	1781W30APP
	●	1781W40A	1781W40APP
3000K	●	1781030A	1781030APP
	●	1781040A	1781040APP

ZEPHYR CHANDELIER

Body lamp			
CCT	Colour	Code	
2700K	●	1783W30A	
	●	1783W40A	
3000K	●	1783030A	
	●	1783040A	

Ceiling rose	Colour	DALI/PUSH	PUSH & APP
		Code	Code
	●	1784030A	1784030APP









Headquarters

Artemide S.p.A.

Via Bergamo, 18
20006 Pregnana Milanese (MI), Italy
Tel. +39 02 93518.1
Tel. +39 02 93526.1
Numero verde 800 834 093
(from Italy only)
info@artemide.com
artemide.com

Artemide S.p.A.

si riserva la facoltà di modificare, in qualunque momento e senza preavviso, le caratteristiche tecniche degli elementi illustrati nel presente catalogo.

Artemide S.p.A.

reserves the right to change, at any time and without prior warning, the technical specifications of any product illustrated in this catalogue.

Artemide S.p.A.

se réserve le droit de modifier, à n'importe quel moment et sans préavis, les caractéristiques techniques des éléments illustrés dans ce catalogue.

Artemide S.p.A.

behält sich das Recht vor jederzeit und ohne Ankündigung die technischen Daten der im Katalog abgebildeten Produkte zu ändern.

Artemide S.p.A.

se reserva la facultad de modificar, en cualquier y sin aviso previo, las características técnicas de los elementos ilustrados en el presente catálogo.