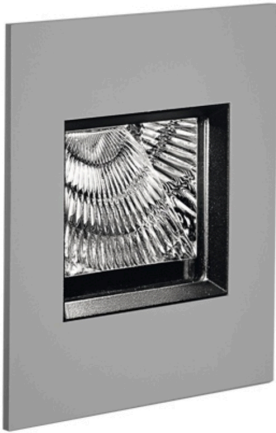


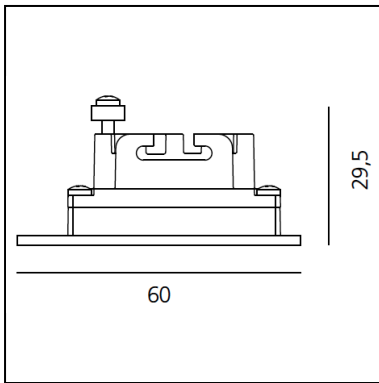
Aria Micro - 2,5W 3000K - IP65 - Silver



DESCRIPTION

Light fixture with high-performance LED light sources. Wall or ceiling installation. Composed by: frame, body, asymmetrical reflector, fixing springs or housing. Body in injection mould of aluminium. Frame in aluminium. Body and frame are painted with outdoor treatment three stages: nanotechnologies, antioxidant primer, polyester paint. Metalized polycarbonate reflector. Silicone gasket. Protection screen in tempered glass, 3mm-thick. Housing in bend metal. Electrical connection to the ballast by means of a cable with appropriate terminal board supplied with the fixture. White monochromatic LEDs available in 2 colour temperatures: Warm = 3000K Neutral = 4000K IP Rating IP65 or IP40. Insulation class III. Technical features of light fixtures in compliance with EN60598-1. Installation must be carried out by specialized personnel. Carefully follow the instructions.

IP65 



LUMINAIRE

- Watt: **3W**
- Delivered lumen output: **57lm**
- CCT: **3000K**
- Efficiency: **35%**
- Efficacy: **19lm/W**
- CRI: **80**

FEATURES

- Product Code: **NL31019VTK002**
- Colour: **Silver**
- Installation: **Wall, Ceiling**
- Material: **Aluminum, polycarbonate, tempered glass**
- Series: **Architectural Outdoor**
- Environment: **Outdoor**

DIMENSIONS

- Length: **60 mm**
- Height: **60 mm**
- Recessed depth: **30 mm**
- Cutout shape: **Squared**
- Weight: **kg 0.6**

SOURCES INCLUDED

- Category: **Led**
- Number: **1**
- Watt: **2,5W**
- Delivered lumen output: **165lm**
- Color temperature (K): **3000K**
- CRI: **=80(min.)**
- Color Tolerance: **MacAdam 4SDCM)**
- Efficacy: **72lm/W**
- Service Life: **L70(10K)>60500h**

Accessories

NO
IMAGE
AVAILABLE

ALIMENT. 8,4W 350mA (indip.) NL19032

NO
IMAGE
AVAILABLE

Driver 20W - 700mA - 220-240 Vac - 125x38x23
(LxWxH) - Undimmable NL19036

NO
IMAGE
AVAILABLE

Cassaforma Aria Micro NL31020H0

NO
IMAGE
AVAILABLE

Driver 10W - 700mA 220-240 Vac - 75x38x25
(LxWxH) - IP20 - Undimable NL19035